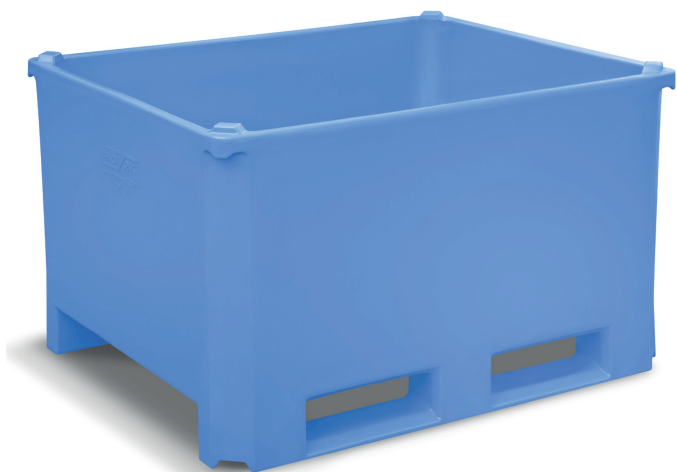


TYPE 605 PE

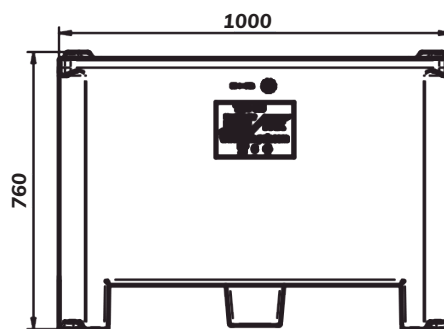
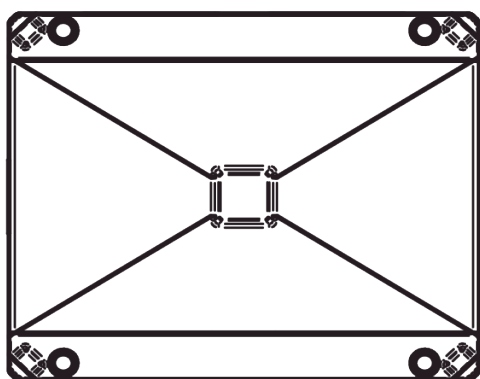
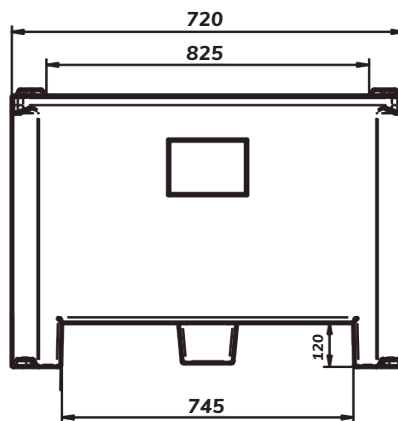
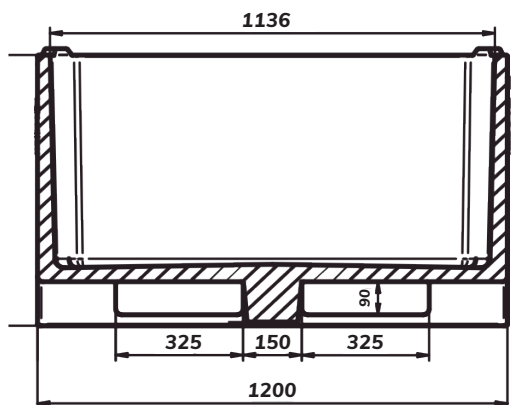


PRODUCT SPECIFICATION SHEET

PRODUCT ID FP-605 PE
MATERIAL virgin PE-1A
INSULATION foamed polyethylene (PE)

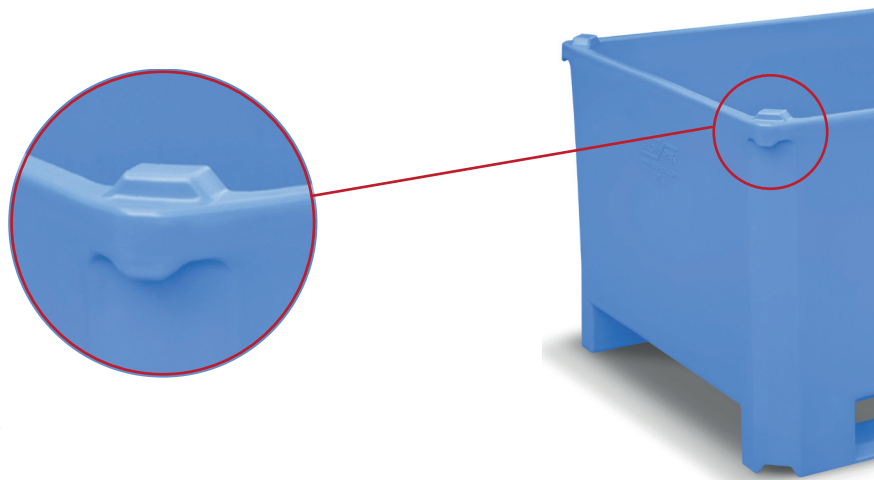


DIMENSIONS	Exterior	Interior maximum	Interior minimum
LENGTH	1200 mm	1136 mm	1108 mm
WIDTH	1000 mm	936 mm	913 mm
HEIGHT	760 mm	570 mm	556 mm



CAPACITY	605 L
WALL THICKNESS	32,5 mm
WEIGHT	55 kg
DRAIN HOLES	0 - 1 - 2 / 2" BCS 56 x 4
OPTION	additional single central leg
STACKABLE WITH	type 605 / Dolav

4 interlocking lugs to prevent slipping when stacked



CHARACTERISTIC

- smooth, solid and hygienic walls and bottom
- 2 runners
- up to 2 drainage holes with stoppers
- gravity floor and drips for easier drainage
- suitable for contact with perishable products
- strong and robust corners allowing safe operating with crane's lifting hooks
- stackable with or without lid
- rounded design for easy washing and cleaning
- pallet truck access from all 4 sides
- available in beige and blue colour, other colours upon request
- long lasting UV-protection

IMPORTANT

- dimensional tolerance $\pm 3\%$, any changes and errors reserved.
- all technical data provided are guide values - they may vary because of specific applications and conditions, the information provided are based on the current knowledge and experience.
- the user is obliged to carry out its own tests and inspections before regular usage of the product.